

<b>TYPE</b>	<b>MITSUBISHI Pressure Ventilator (Exhaust Type)</b>
<b>MODEL</b>	<b>EWF-40DTA40A</b>

<b>VOLUME</b>	
<b>SIGN</b>	

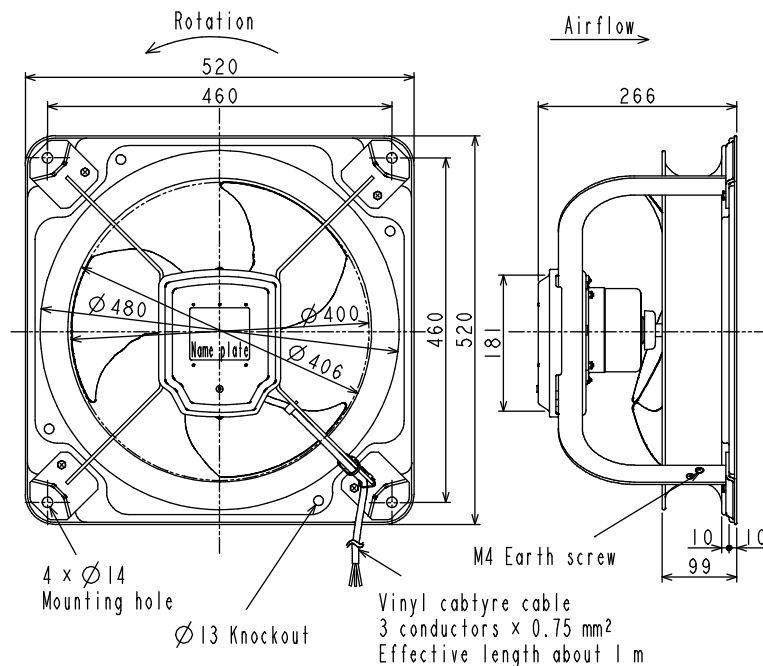
Power supply	Three-phase 380/400/415 V	Withstand voltage	1900 V AC 1 minute						
Blade type	40 cm metal propeller vane	Insulation resistance	10 MΩ or more (with 500 V Insulation resistance tester)						
Motor type	Totally enclosed 3-phase induction motor (4-pole type E)			Weight	12.3 kg				
Ambient operating conditions	Temperature: -30°C to +50°C Relative humidity: 90% or less (normal temperature) Outdoor use (Inside the projected rain line)	Color	Munsell: 7.65Y7.6/0.7 Body frame, Vane, Motor leg, Motor, Motor cover: Polyester coating						
Ball bearings	Load side: 6003DDW Reverse load side: 6003ZZ Grease: Urea	Material	Vane: Steel sheet Motor leg: Flat bar Body frame, Motor, Motor cover: Galvanized sheet steel						
SPECIFICATIONS	Frequency (Hz)	Voltage (V)	Air volume (m <sup>3</sup> /h)	Noise (dB)	Power consumption (W)	Current (A)	Maximum load current (A)	Starting current (A)	Nominal out put (W)
	50	380	3720	43	130	0.45	0.54	2.25	200
		400	3720	43	135	0.47	0.55	2.34	
		415	3720	43.5	140	0.49	0.56	2.42	

- ※ The values of the noise, power consumption, and current are at a static pressure of 0 Pa.
- ※ The value of the noise is at 1.5 m from the front and both sides of the appliance in an anechoic room. (Average of the three points)
- ※ This appliance is only for exhaust-use.

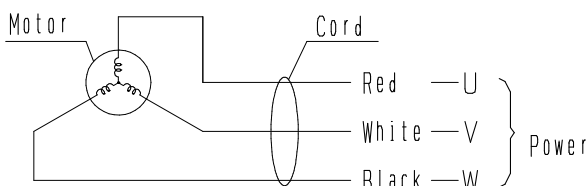
#### ■ Attention

- ※ Refer to the precautions on page 2.

#### ■ Drawings and Dimensions

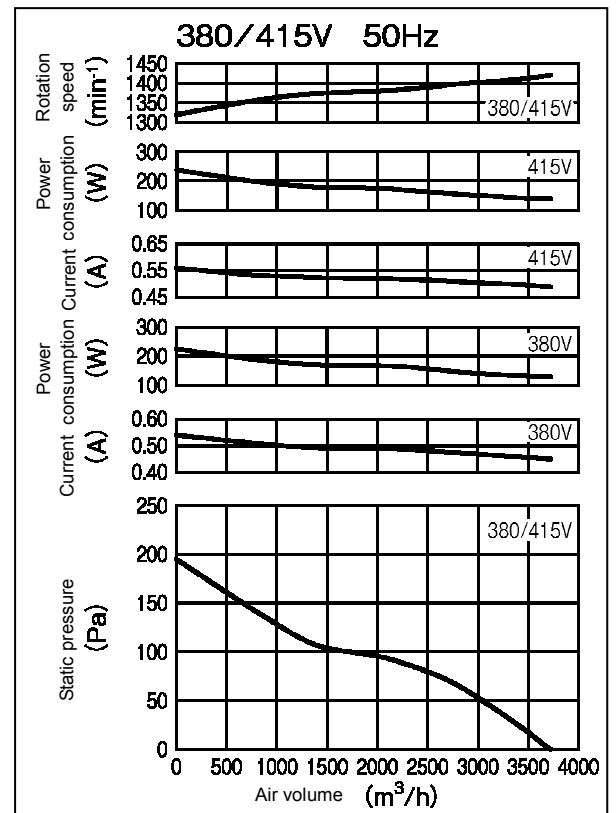


#### ■ Connection Diagram



- ※ The nominal output is only a rough estimate. When selecting a breaker or an overload protection device, select it according to the maximum load current value. (Refer to page 2 for details.)

#### ■ Characteristics



- ※ The air volume was measured using the orifice chamber method.

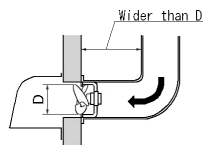
Third Angle Projection Method	Dim. in	Scale	Date	Model	MITSUBISHI Pressure Ventilator (Exhaust Type) EWF-40DTA40A	
	mm	Non proportional	Apr. 2014			
MITSUBISHI ELECTRIC NAKATSUGAWA WORKS				Number	NJ014000-50 (1/2)	Specification

<b>TYPE</b>	<b>MITSUBISHI Pressure Ventilator (Exhaust Type)</b>
<b>MODEL</b>	<b>EWF-40DTA40A</b>

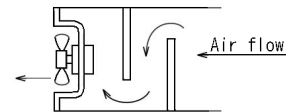
<b>VOLUME</b>	
<b>SIGN</b>	

### ■Precautions

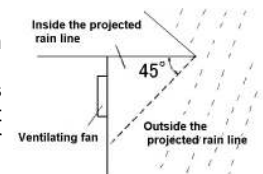
- This appliance is designed for use in Japan only and cannot be used in any other country. No servicing is available outside of Japan.
- Follow the ambient operating conditions.  
The installation must meet the requirements for ambient temperature and humidity.
- Avoid turning the appliance off and on more than 50 times a day. Otherwise, blade or motor breakages will occur.
- Do not install the appliance in a place where it will be directly exposed to oily smoke or steam, such as a kitchen.
- Do not use the appliance in a place where the ambient temperature exceeds 50°C, such as a kitchen. Deterioration of electric parts including the motor could result, or deterioration of bearing grease could result in burnt bearing section.
- Do not install the appliance in a freezer or a place where freezing is anticipated.
- Install the appliance in a secure manner in a firm and steady place free from vibrations. Otherwise, resonance could develop, resulting in noises or chipped blades. Reinforce any unstable parts of the mounting location before installing the appliance.
- The appliance is designed for overhead installation. Install the appliance at a place 1.8m or higher from the floor. Otherwise, injury or accident could result.
- It is possible to install the appliances close together. However, be aware that vibration and/or noises could occur on the appliances or the shutter, or the overload protection device could activate depending on the installing condition.
- Do not install the product in the following places. Resultant drift may cause noises or blade breakage.
  - Ducting (No bent ducts on the intake side must be located within distance \*D.)
  - Places where obstacles exist on the intake side
  - Places where intake airflow might experience an extreme curvature as shown below



\*D: the diameter of the blade



- Insulate the frame between the appliance and the wooden structure containing metal lath, wire lath, or metal sheets to prevent the structure from contacting directly with the metal part of the appliance. Otherwise, fault current, electric shock, or fire could result. In such a case, the optional insulation frame must be used. (Referring Item 3, Provision 167, 'Technical Standards for Electric Systems')
- Always install a circuit breaker.
- To protect the motor from overloading, install an overload protection device, such as a motor breaker or an electromagnetic switch (or an electromagnetic contactor + thermal relay). An overload protection device must be installed for each appliance. Choose the overload protection device with 1.2 to 1.5 times the maximum load current as a rule of thumb when selecting it.
- Secure the C-type grounding when installing the appliance having an earth terminal or conductor.
- Electrical wiring must be done by a certified electrician in accordance with local standards and regulations. Never twist the stranded wires by hand to connect them. Additionally, connect the power source wires within a metal box for electrical conduits (JIS C 8340).
- Connecting the power source improperly could hinder correct operation, and could result in a burnt motor or other problem. Securely connect the appliance to the device such as a switch or plug.
- To discharge unclean air, the appliance requires an opening that takes in fresh air. On the other side of the appliance, provide an air intake opening whose size is the same as or more than that of the frame for the appliance.
- The appliance tends to become dirty. If dirt left intact for a long time, it will become hard to remove. Clean the appliance ahead of time. (Handle the blade with care.)
- Modification of the appliance is prohibited as this could result in failure.
- The appliance can not be used in a place where it is vulnerable to salt corrosion. Otherwise, rust could develop at an early date.
- The appliance can be installed in a place where it will be directly exposed to rain. (The outdoor-type motor is protected from water at a level corresponding to IPX4 (for the splash-proof type) defined by JIS C 4034-5.) Any rust on the motor could shorten its life, so it is recommended that the appliance be installed inside the rain line (or under the eaves) or a weather cover be used over it.
- If any flammable substance such as oil or dust accumulates on the appliance, a spark could cause a fire. Always clean the appliance at regular intervals (about 1 year).
- Wooden frames can not be used for the appliance in the kitchen in some locations where it is prohibited by the local fire department. In that case, the optional nonflammable frame must be used.
- Operating the appliance in a dusty place could result in increased vibration or shorter bearing life depending on the dust. Even though the configuration of the blade and shaft pass, and the use of sealed bearings are designed to prevent dust from entering the bearing. However, it is known that any dust attached to the blade makes it out of balance, resulting in increased vibrations. Also, dust that has come in through the shaft pass or the drain hole in the motor bracket could shorten the life of the bearings. Inspect and/or replace the bearings ahead of time.
- When operating the appliance in a humid place, install the appliance as follows: One of the drain plugs (or caps) must be placed on the underside of the motor, and the drain plug (or cap) must be removed. (However, the drain plug (or cap) should be attached when the appliance is installed in a dusty and humid place. In such a case, inspect it at intervals with the plug (or cap) removed.)
- Consult with our local dealer when the appliance is to be installed to run as part of equipment. The appliance should be installed in such a way that it can be readily maintained. If the appliance failure or ending its service life could cause another failure, a Fail-safe configuration (such as an alarm) must be provided. (Fail-safe: design that prevents another failure to occur.)
- The 400V-class ventilating fan can not run in combination with an inverter. (Surge voltage given from the inverter could give damage to its insulation.)



Third Angle Projection Method	Dim. in	Scale	Date	Model	MITSUBISHI Pressure Ventilator (Exhaust Type) EWF-40DTA40A	
	mm	Non proportional	Apr. 2014			
MITSUBISHI ELECTRIC NAKATSUGAWA WORKS				Number	NJ014000-50 (2/2)	Specification